

NHD-C0216AZ-FN-GBW

COG (Chip-on-Glass) Liquid Crystal Display Module

NHD- Newhaven Display
C0216- COG, 2 Lines x 16 Characters
AZ- Model
F- Transflective
N- No Backlight
G- STN- Gray
B- 6:00 Optimal View
W- Wide Temp
RoHS Compliant

Newhaven Display International, Inc.

2661 Galvin Ct.
Elgin IL, 60124

Ph: 847-844-8795 Fax: 847-844-8796

www.newhavendisplay.com

nhtech@newhavendisplay.com

nhsales@newhavendisplay.com

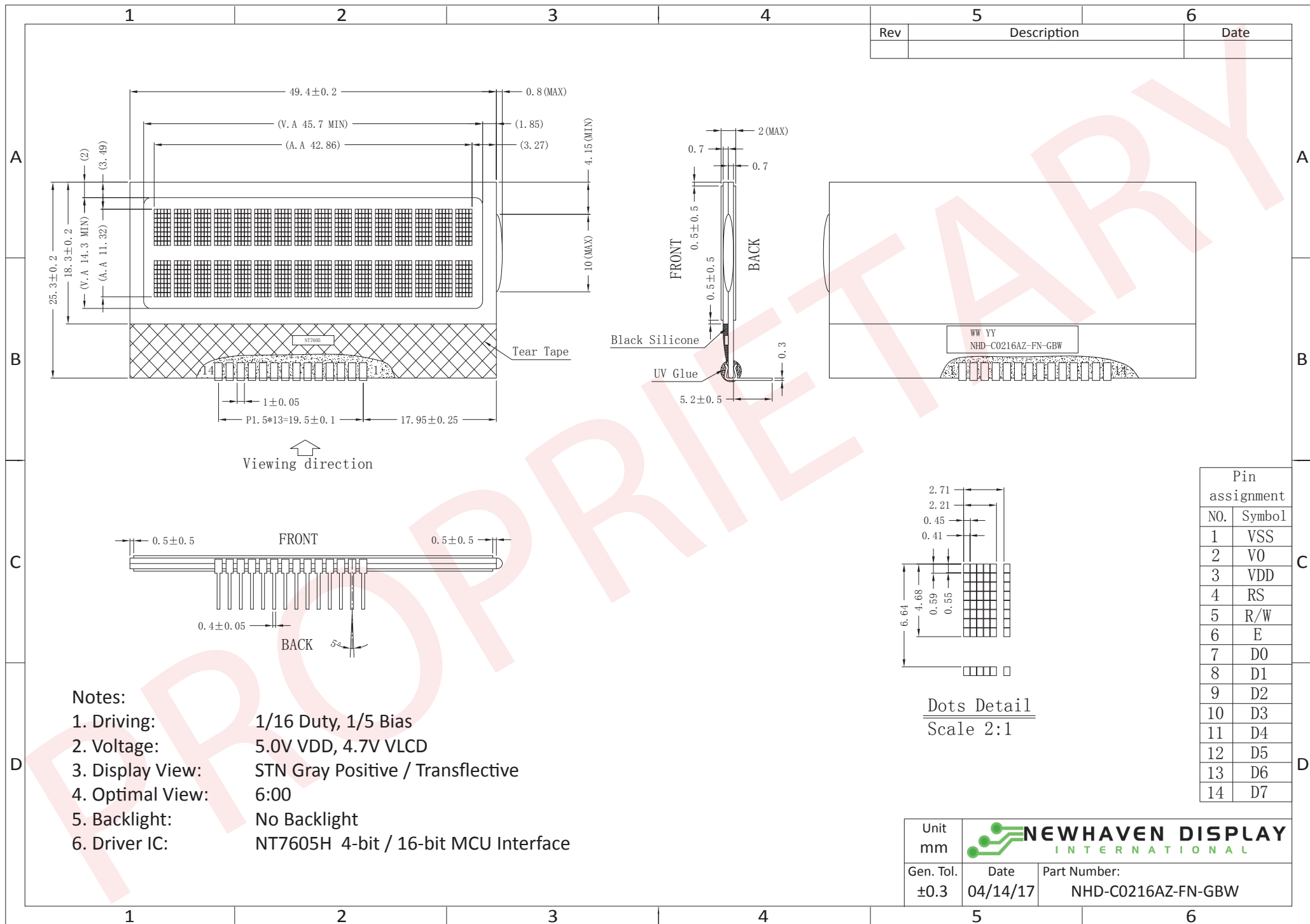
Document Revision History

Revision	Date	Description	Changed by
0	7/20/2007	Initial Release	-
1	8/1/2007	Edit temp. range errors	CL
2	6/4/2008	Edit incorrect pinout	CL
3	9/9/2009	User guide reformat	BE
4	10/9/2009	Updated Electrical Characteristics information	MC
5	10/15/2009	Updated Block Diagram	MC
6	6/2/2011	Timing characteristics updated	AK
7	4/14/2017	Updated Mechanical Drawing	TM

Functions and Features

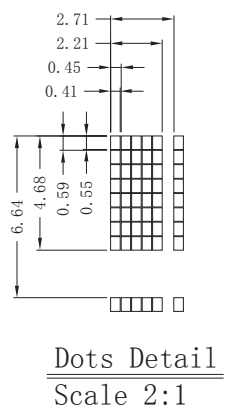
- 2 lines x 16 characters
- Built-in NT7605 controller
- 5x8 dots with cursor
- +5V power supply
- 1/16 duty, 1/5 bias
- RoHS Compliant

Mechanical Drawing



Rev	Description	Date

- Notes:**
- Driving: 1/16 Duty, 1/5 Bias
 - Voltage: 5.0V VDD, 4.7V VLCD
 - Display View: STN Gray Positive / Transflective
 - Optimal View: 6:00
 - Backlight: No Backlight
 - Driver IC: NT7605H 4-bit / 16-bit MCU Interface



Pin assignment	
NO.	Symbol
1	VSS
2	V0
3	VDD
4	RS
5	R/W
6	E
7	D0
8	D1
9	D2
10	D3
11	D4
12	D5
13	D6
14	D7

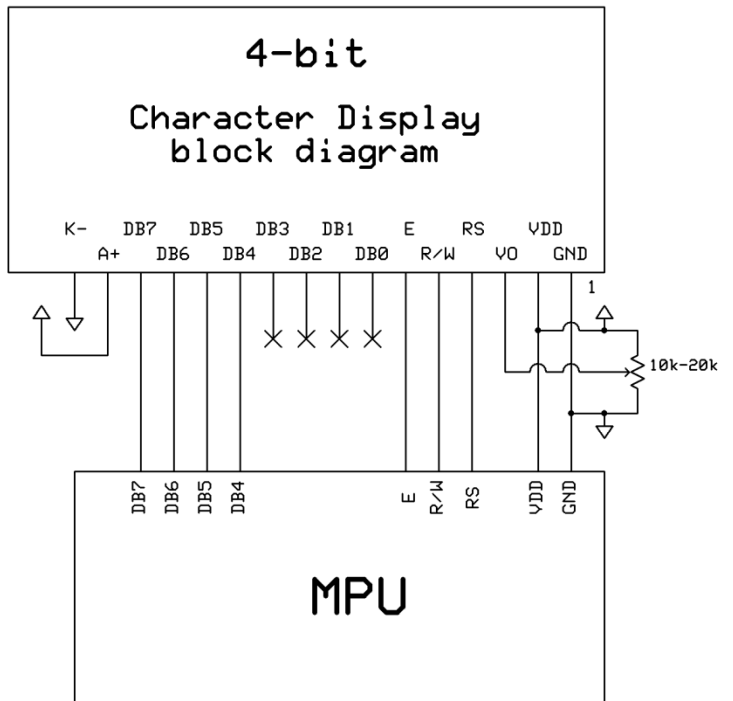
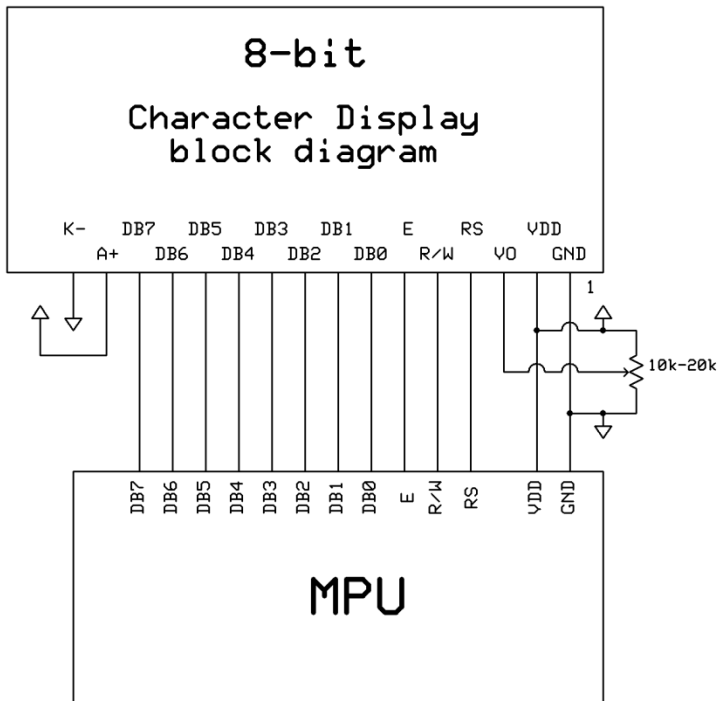
Unit mm		
Gen. Tol. ± 0.3	Date 04/14/17	Part Number: NHD-C0216AZ-FN-GBW

Pin Description and Wiring Diagram

Pin No.	Symbol	External Connection	Function Description
1	Vss	Power Supply	Ground
2	Vo	Adj. Power supply	Power supply for contrast (approx. 0.3V)
3	VDD	Power Supply	Supply voltage for logic (5.0V)
4	Rs	MPU	Register select signal. RS=0: Command, RS=1: Data
5	R/W	MPU	Read/Write select signal, R/W=1: Read R/W=0: Write
6	E	MPU	Operation enable signal. Falling edge triggered.
7-10	DB0-DB3		Four low order bi-directional three state data bus lines. These four are not used during 4-bit operation.
11-14	DB4-DB7		Four high order bi-directional three state data bus lines.

Recommended LCD connector: 1.5 mm pitch, 14 pins Soldered to PCB

Backlight connector: --- Mates with: ---



Electrical Characteristics

Item	Symbol	Condition	Min.	Typ.	Max.	Unit
Operating Temperature Range	T _{OP}	Absolute Max	-20	-	+70	°C
Storage Temperature Range	T _{ST}	Absolute Max	-30	-	+80	°C
Supply Voltage	V _{DD}		4.7	5.0	5.5	V
Supply Current	I _{DD}	T _{OP} = 25°C, V _{DD} = 5.0V	0.6	1.83	2.8	mA
Supply for LCD (contrast)	V _{LCD}		4.4	4.7	5.0	V
"H" Level input	V _{IH}	-	2.2	-	V _{DD}	V
"L" Level input	V _{IL}	-	0	-	0.6	V
"H" Level output	V _{OH}	-	2.4	-	-	V
"L" Level output	V _{OL}	-	-	-	0.4	V

Optical Characteristics

Item	Symbol	Condition	Min.	Typ.	Max.	Unit
Optimal Viewing Angles	Top	CR ≥ 2	-	35	-	°
	Bottom		-	60	-	°
	Left		-	40	-	°
	Right		-	40	-	°
Contrast Ratio	CR	-	-	6	-	-
Response Time	Rise	T _{OP} = 25°C	-	150	250	ms
	Fall		-	150	250	ms

Controller Information

Built-in NT7605 Controller. Download specification at http://www.newhavendisplay.com/app_notes/NT7605.pdf

DDRAM address location:

1	2	3	4	5	6	7	8	9	10	11	12	13	14	15	16
00	01	02	03	04	05	06	07	08	09	0A	0B	0C	0D	0E	0F
40	41	42	43	44	45	46	47	48	49	4A	4B	4C	4D	4E	4F

Timing Characteristics

Read Operation

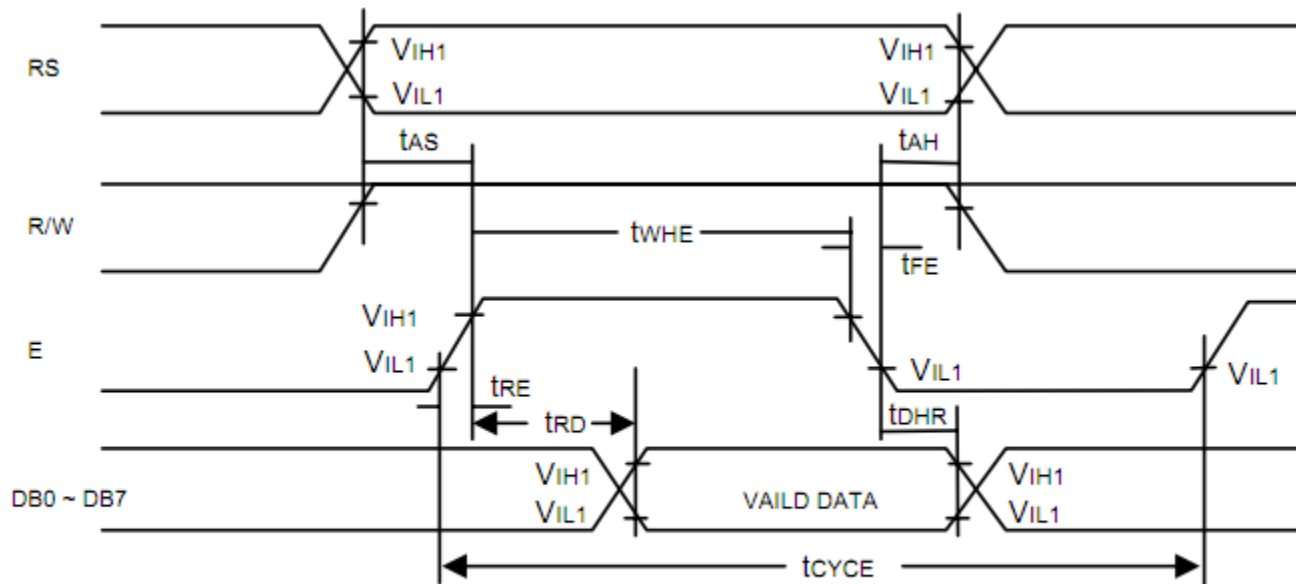


Figure 1. Bus Read Operation Sequence
(Reading out data from NT7605 to MPU)

Read Cycle ($V_{DD} = 5.0V$, $GND = 0V$, $T_A = 25^\circ C$)

Symbol	Parameter	Min.	Typ.	Max.	Unit	Conditions
t_{CYCE}	Enable Cycle Time	500	-	-	ns	Figure 1
t_{WHE}	Enable "H" Level Pulse Width	300	-	-	ns	Figure 1
t_{RE}, t_{FE}	Enable Rise/Fall Time	-	-	25	ns	Figure 1
t_{AS}	RS, R/W Setup Time	60 ¹	-	-	ns	Figure 1
		100 ²				
t_{AH}	RS, R/W Address Hold Time	10	-	-	ns	Figure 1
t_{RD}	Read Data Output Delay	-	-	190	ns	Figure 1
t_{DHR}	Read Data Hold Time	20	-	-	ns	Figure 1

Notes: 1: 8-bit operation mode
2: 4-bit operation mode

Write Operation

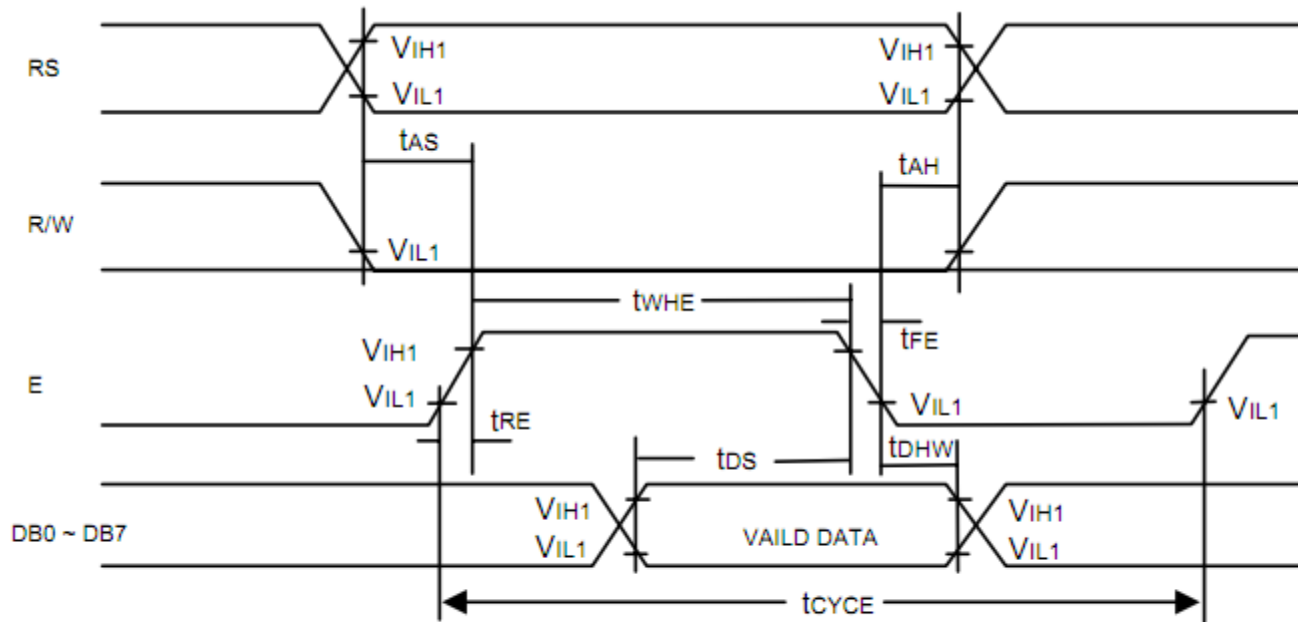


Figure 2. Bus Write Operation Sequence
(Writing data from MPU to NT7605)

Write Cycle ($V_{DD} = 5.0V$, $GND = 0V$, $T_A = 25^\circ C$)

Symbol	Parameter	Min.	Typ.	Max.	Unit	Conditions
t_{CYCE}	Enable Cycle Time	500	-	-	ns	Figure 2
t_{WHE}	Enable "H" Level Pulse Width	300	-	-	ns	Figure 2
t_{RE} , t_{FE}	Enable Rise/Fall Time	-	-	25	ns	Figure 2
t_{AS}	RS, R/W Setup Time	60 ¹	-	-	ns	Figure 2
		100 ²				
t_{AH}	RS, R/W Address Hold Time	10	-	-	ns	Figure 2
t_{DS}	Data Output Delay	100	-	-	ns	Figure 2
t_{DHW}	Data Hold Time	10	-	-	ns	Figure 2

Notes: 1: 8-bit operation mode
2: 4-bit operation mode

Built-in Font Table

Lower 4 Bits \ Upper 4 Bits	0000	0001	0010	0011	0100	0101	0110	0111	1000	1001	1010	1011	1100	1101	1110	1111
xxxx0000	CG RAM (1)			0	a	P	`	P				-	夕	ミ	α	ρ
xxxx0001	(2)		!	1	A	Q	a	q			。	ア	チ	△	ä	q
xxxx0010	(3)		"	2	B	R	b	r			「	イ	ツ	×	ß	θ
xxxx0011	(4)		#	3	C	S	c	s			」	ウ	テ	モ	ε	∞
xxxx0100	(5)		\$	4	D	T	d	t			、	エ	ト	ト	μ	Ω
xxxx0101	(6)		%	5	E	U	e	u			・	オ	ナ	1	σ	ü
xxxx0110	(7)		&	6	F	V	f	v			ヲ	カ	ニ	ヨ	ρ	Σ
xxxx0111	(8)		'	7	G	W	g	w			ア	キ	ヌ	ラ	g	π
xxxx1000	(1)		(8	H	X	h	x			イ	ク	ネ	リ	γ	∞
xxxx1001	(2))	9	I	Y	i	y			ウ	ケ	ル	ル	´	y
xxxx1010	(3)		*	:	J	Z	j	z			エ	コ	ハ	レ	j	≠
xxxx1011	(4)		+	;	K	[k	{			オ	サ	ヒ	ロ	*	≠
xxxx1100	(5)		,	<	L	¥	l				カ	シ	フ	ク	φ	≠
xxxx1101	(6)		-	=	M]	m	}			ユ	ス	ハ	ン	≠	÷
xxxx1110	(7)		.	>	N	^	n	→			ヨ	セ	ホ	°	≠	
xxxx1111	(8)		/	?	O	_	o	+			ッ	ソ	マ	°	ö	■

Example Initialization Program

```
'INIT-----  
A = &H30  
Call Writecom                                     'wake up  
Waitms 100  
Call Writecom                                     'wake up  
Waitms 10  
Call Writecom                                     'wake up  
Waitms 10  
A = &H38  
'function set  
Call Writecom  
A = &H10  
'shift display=no  
Call Writecom  
A = &H0C  
'display on  
Call Writecom  
A = &H06  
'entry mode set  
Call Writecom  
'-----  
Sub Writecom  
P1 = A  
Reset P3.0  
'instruction  
Reset P3.7  
'RW  
Waitms 1  
Set P3.4  
'E  
Waitms 1  
Reset P3.4                                     'E  
End Sub  
'-----  
Sub Writedata  
P1 = A  
Set P3.0  
'data  
Reset P3.7  
'RW  
Waitms 1  
Set P3.4  
'E  
Waitms 1  
Reset P3.4                                     'E  
End Sub  
'-----
```

Quality Information

Test Item	Content of Test	Test Condition	Note
High Temperature storage	Endurance test applying the high storage temperature for a long time.	+80°C , 48hrs	2
Low Temperature storage	Endurance test applying the low storage temperature for a long time.	-30°C , 48hrs	1,2
High Temperature Operation	Endurance test applying the electric stress (voltage & current) and the high thermal stress for a long time.	+70°C , 48hrs	2
Low Temperature Operation	Endurance test applying the electric stress (voltage & current) and the low thermal stress for a long time.	-20°C , 48hrs	1,2
High Temperature / Humidity Operation	Endurance test applying the electric stress (voltage & current) and the high thermal with high humidity stress for a long time.	+40°C , 90% RH , 48hrs	1,2
Thermal Shock resistance	Endurance test applying the electric stress (voltage & current) during a cycle of low and high thermal stress.	0°C, 30min -> 25°C, 5min -> 50°C, 30min = 1 cycle For 10 cycles	
Vibration test	Endurance test applying vibration to simulate transportation and use.	10-55Hz, 15mm amplitude. 60 sec in each of 3 directions X,Y,Z For 15 minutes	3
Static electricity test	Endurance test applying electric static discharge.	VS=800V, RS=1.5kΩ, CS=100pF One time	

Note 1: No condensation to be observed.

Note 2: Conducted after 4 hours of storage at 25°C, 0%RH.

Note 3: Test performed on product itself, not inside a container.

Precautions for using LCDs/LCMs

See Precautions at www.newhavendisplay.com/specs/precautions.pdf

Warranty Information and Terms & Conditions

http://www.newhavendisplay.com/index.php?main_page=terms